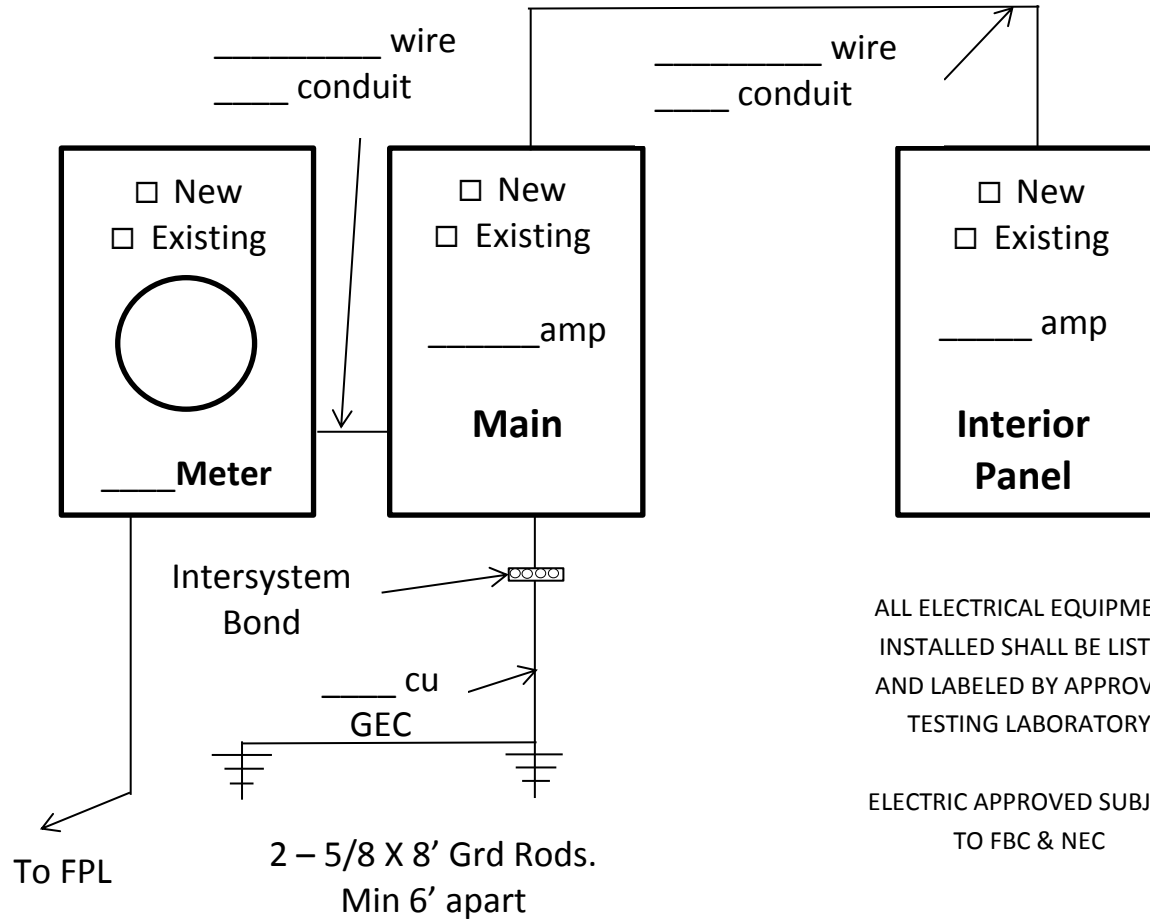


Electric Service / Panel Change



ALL ELECTRICAL EQUIPMENT
INSTALLED SHALL BE LISTED
AND LABELED BY APPROVED
TESTING LABORATORY

ELECTRIC APPROVED SUBJECT
TO FBC & NEC

Contractor/Owner Signature

License #

*******Note*******

Please check appropriate boxes and fill in all
required information.